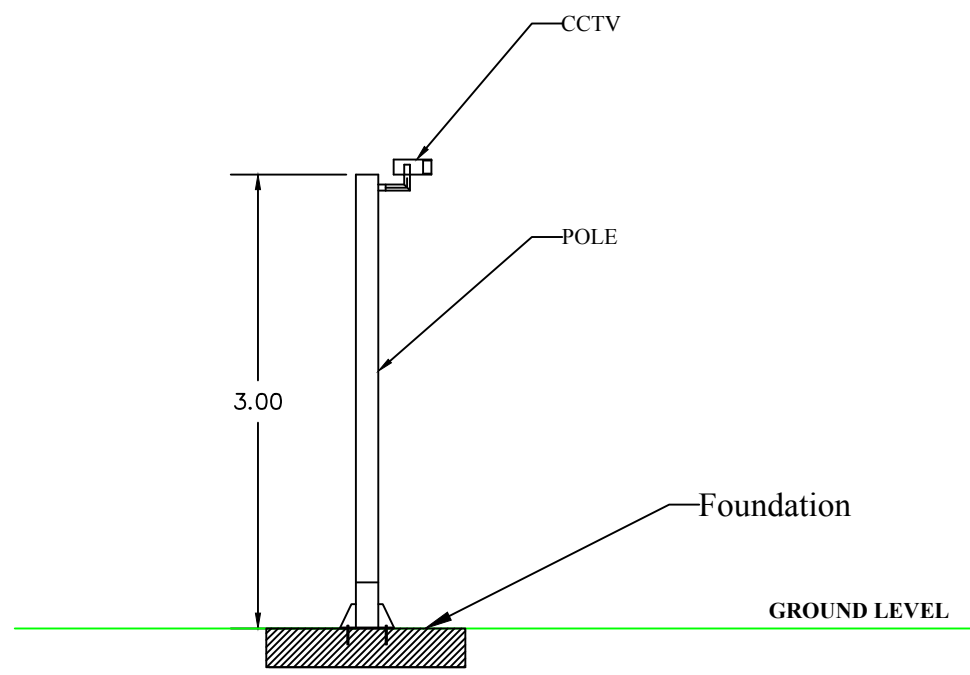
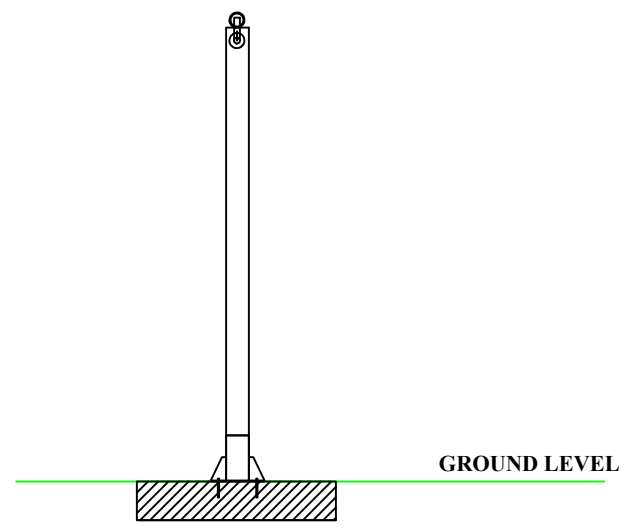


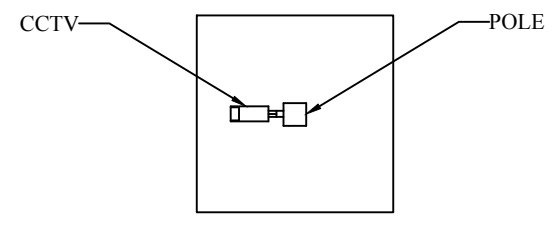
Notes:
 1) Model / technology and/or arrangement of the systems shown here to be subject to ESB detailed design specification



SIDE VIEW



FRONT VIEW



TOP VIEW

Rev.	Date	Revision description	Drn.	Prod.	Ver.	App.
0	12.18	ISSUED FOR PLANNING	NK	NK	AD	DL

Client Approval Planning Tender Construction As-Built

ESB INTERNATIONAL
 One Dublin Airport Central,
 Dublin Airport, Cloghran, Co. Dublin
 Tel: 353 1 703 8000 Email: marketing@esbi.ie
 Web: www.esbinternational.ie
 ESB International is a trading name of
 ESBI Engineering & Facility Management Ltd.
 Registered Office: as above
 Registered in Ireland No. 155249

Client
 ESB Wind Development Ltd and Bord na Móna Powergen Ltd

Project
 Timahoe North Solar Farm

Contract

Drawing title
 Plan & Elevation - CCTV camera

Production unit
 ESB Wind Development

*COPYRIGHT © ESB INTERNATIONAL LIMITED
 ALL RIGHTS RESERVED. NO PART OF THIS WORK MAY BE MODIFIED, REPRODUCED OR COPIED IN ANY FORM OR BY ANY MEANS
 GRAPHIC, ELECTRONIC OR MECHANICAL, INCLUDING PHOTOCOPYING, RECORDING, TAPING OR USED FOR ANY PURPOSE
 OTHER THAN ITS DESIGNATED PURPOSE, WITHOUT THE WRITTEN PERMISSION OF ESBI ENGINEERING & FACILITY
 MANAGEMENT LTD., TRADING AS ESB INTERNATIONAL.*

Drawn NK	Produced NK	Verified AD	Approved DL	Approval date 04/12/2018
Client ref. 00 - 00		No. of sheets 1	Size A3	Scale 1:50 @ A3
Drawing number QS-000218-01-D605-001				SHEET REV